



GreenSpace Surface-mounted

SM294C LED40/830 PSU WP WH GM

GreenSpace Surface-mounted, 36 W, 3800 lm, 3000 K, High-gloss mirror, Dust penetration-protected, jet-proof

Philips GreenSpace Surface-mounted LED Downlight delivers a superior LED alternative that's up to 66% more energy efficient than the conventional downlight retrofits. Blending seamlessly into its environment, GreenSpace Surface-mounted LED Downlight mimics the form of conventional recessed downlights minus the associated high energy and maintenance costs. Philips GreenSpace Surface-mounted LED Downlight is also ideal for all commercial lighting applications as well as public indoor space where there is limited space in the ceiling.

Product data

| General Information | |
|--------------------------|----------------------------------|
| Light source replaceable | No |
| Number of gear units | 1 unit |
| Driver included | Yes |
| Light source engine type | LED |
| Service tag | Yes |
| Glow-wire test | Temperature 750 °C, duration 5 s |
| Flammability mark | - |
| CE mark | CE mark |
| ENEC mark | - |
| Warranty period | 3 years |
| EU RoHS compliant | No |

| Light Technical | |
|------------------------------------|-------------------|
| Luminous Flux | 3,800 lm |
| Correlated Color Temperature (Nom) | 3000 K |
| Luminous Efficacy (rated) (Nom) | 105 lm/W |
| Color rendering index (CRI) | >80 |
| Beam angle of light source | - degree(s) |
| Light source color | 830 warm white |
| Optic type | High-gloss mirror |
| Optical cover type | Reflector |
| Luminaire light beam spread | 60° |

| Operating and Electrical | |
|--------------------------|--------------|
| Input Voltage | 220 to 240 V |
| Line Frequency | 50 or 60 Hz |

GreenSpace Surface-mounted

| | |
|--|----------|
| Inrush current | 25 A |
| Inrush time | 0.202 ms |
| Power Consumption | 36 W |
| Power Factor (Fraction) | 0.9 |
| Connection | - |
| Cable | - |
| Number of products on MCB of 16 A type B | 24 |

Temperature

| | |
|---------------------------|---------------|
| Ambient temperature range | -20 to +40 °C |
|---------------------------|---------------|

Controls and Dimming

| | |
|-------------------------------|----------------------------|
| Dimmable | No |
| Driver/power unit/transformer | Power supply unit (On/Off) |
| Control interface | - |
| Constant light output | No |

Mechanical and Housing

| | |
|-------------------------------------|-------------------|
| Housing Material | Aluminum die cast |
| Reflector material | Aluminum |
| Optic material | Aluminum |
| Optical cover material | - |
| Fixation material | - |
| Housing Color | White |
| Optical cover finish | - |
| Overall length | 0 mm |
| Overall width | 0 mm |
| Overall height | 239 mm |
| Overall diameter | 200 mm |
| Dimensions (Height x Width x Depth) | 239 x 0 x 0 mm |

Approval and Application

| | |
|------------------------------|--|
| Ingress protection code | IP65 [Dust penetration-protected, jet-proof] |
| Mech. impact protection code | IK02 [0.2 J standard] |
| Protection class IEC | Safety class I |

Initial Performance (IEC Compliant)

| | |
|-----------------------------|----------------------|
| Luminous flux tolerance | +/-10% |
| Initial chromaticity | (0.44, 0.40) SDCM <5 |
| Power consumption tolerance | +/-10% |

Over Time Performance (IEC Compliant)

| | |
|-------------------------------|----------------|
| Driver failure rate at 5000 h | 1.00 % |
| Median useful life L70B50 | 50,000 hour(s) |
| Median useful life L80B50 | 40,000 hour(s) |
| Median useful life L90B50 | 20,000 hour(s) |

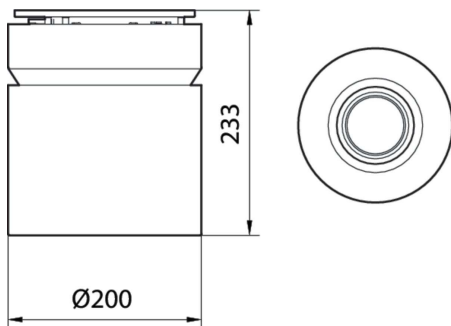
Application Conditions

| | |
|-------------------------------|----|
| Suitable for random switching | No |
|-------------------------------|----|

Product Data

| | |
|---------------------------------|-------------------------------|
| Order product name | SM294C LED40/830 PSU WP WH GM |
| Full product name | SM294C LED40/830 PSU WP WH GM |
| Full product code | 872016951952700 |
| Order code | 911401848399 |
| Material Nr. (12NC) | 911401848399 |
| Numerator - Quantity Per Pack | 1 |
| EAN/UPC - Product/Case | 8720169519527 |
| Numerator - Packs per outer box | 1 |
| EAN/UPC - Case | 8720169519527 |

Dimensional drawing



GreenSpace Surface-mounted

